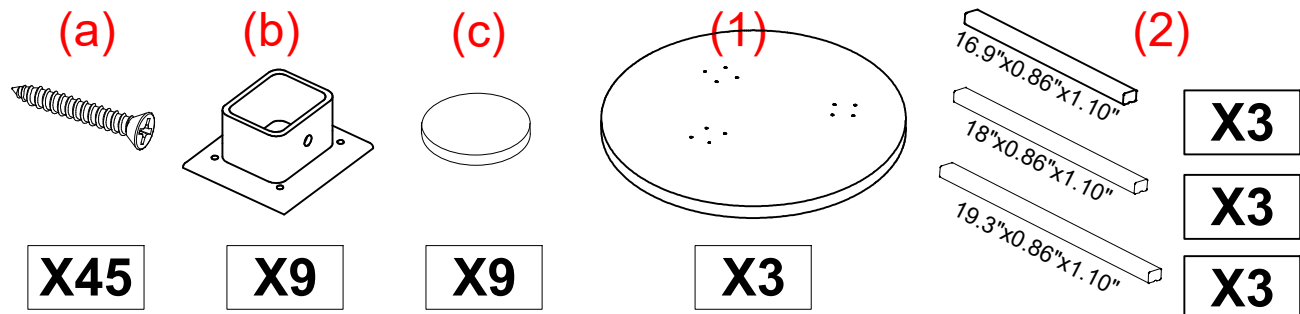


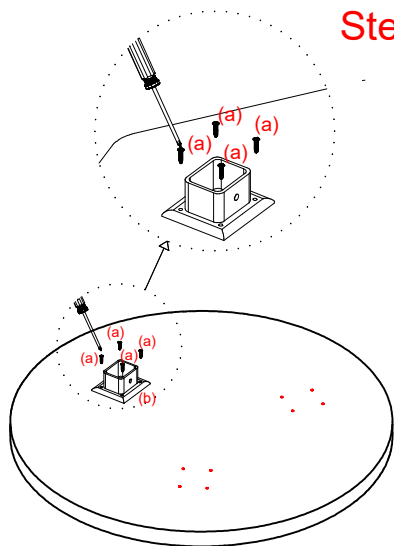
Assembly Instructions

Round Coffee Table - Set of 3

Parts List "There are 9 legs in 3 different sizes in the box"

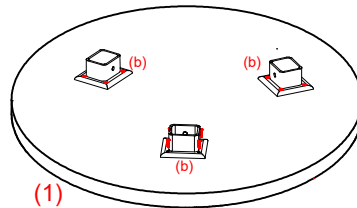


Step 1: Position the trays on flat surface.

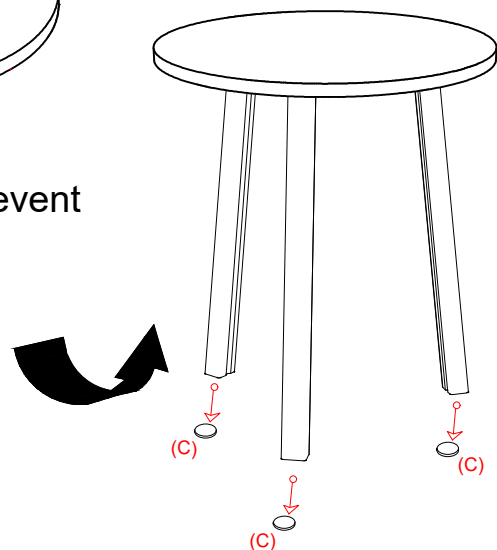
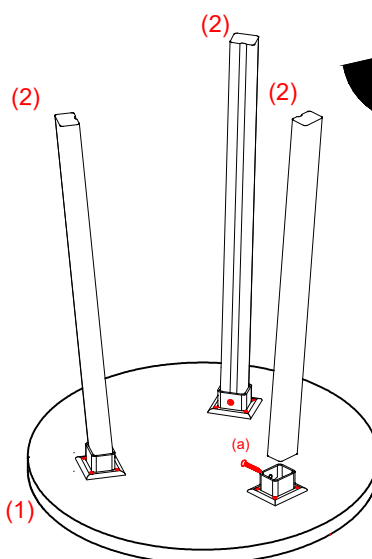
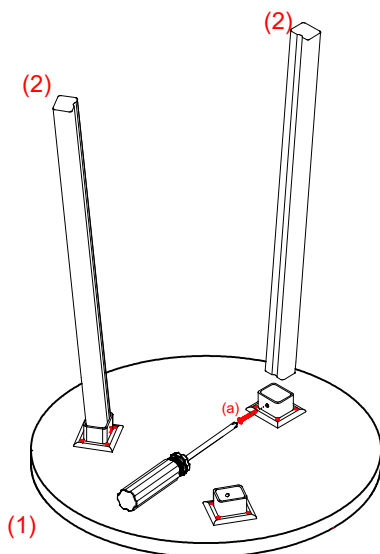


● Fix the plastic mounting plates to the pre-drill holes marked on the table top with the screws (a)

● Attach the table top to Equal sized legs (3 pieces) Use Screws to attach the legs from the side to the plastic mounting plates.



- Repeat the previous steps with all table tops.
- install the felt pads on the bottoms of legs to prevent slipping and scratches on the floor.



Assembly is completed